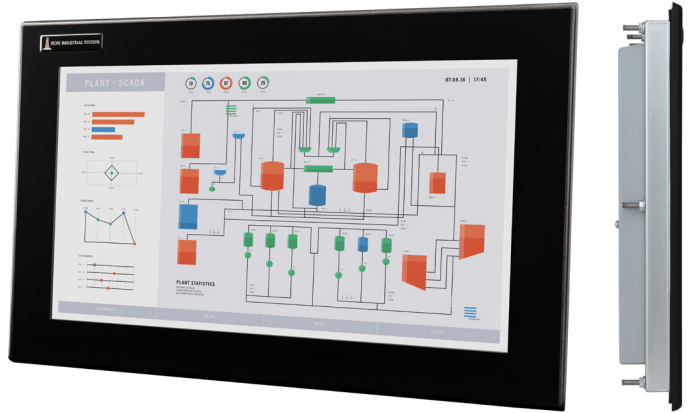




HOPE INDUSTRIAL SYSTEMS



# 19.5" PANEL MOUNT INDUSTRIAL MONITOR

## REVISION B

### USER MANUAL

Model No. HIS-ML19.5- \_\_ \_ B



# Table of Contents

|  |           |
|--|-----------|
| <b>Safety and Regulatory Information</b> .....                   | <b>3</b>  |
| FCC Notice .....   | 3         |
| Hazardous Locations .....  | 4         |
| Waste Electrical and Electronic Equipment Directive (WEEE) ..... | 4         |
| <b>Mechanical Drawings</b> .....                                 | <b>5</b>  |
| Front View.....  | 5         |
| Bottom View.....   | 5         |
| Rear View .....  | 6         |
| Side View.....   | 6         |
| <b>Installation Instructions</b> .....                           | <b>7</b>  |
| Step 1: Prepare for Installation .....                           | 7         |
| Step 2: Bench-test Configuration.....                            | 8         |
| Connect Video and Power Cables .....                             | 8         |
| Connect and Set Up Touch Screen.....                             | 10        |
| Step 3: Install into Panel .....                                 | 13        |
| <b>Video Settings</b> .....                                      | <b>15</b> |
| Setting the Timing Mode .....                                    | 15        |
| Control Panel Buttons .....                                      | 16        |
| On-Screen Display (OSD) Menus.....                               | 18        |
| Picture Menu.....  | 18        |
| VGA Settings Menu.....   | 20        |
| Setup Menu.....  | 21        |
| <b>Cleaning Instructions</b> .....                               | <b>24</b> |
| <b>Troubleshooting</b> .....                                     | <b>25</b> |
| Video Troubleshooting .....                                      | 25        |
| Touch Screen Troubleshooting .....                               | 27        |
| <b>Specifications</b> .....                                      | <b>29</b> |
| Display.....   | 29        |
| Environmental .....  | 29        |
| Video.....   | 30        |
| Physical .....   | 31        |
| Functional .....   | 31        |
| Electrical .....   | 32        |
| Compliances and Certifications .....                             | 32        |
| <b>Warranty Statement</b> .....                                  | <b>33</b> |



---

# Safety and Regulatory Information

---



## WARNING!

To prevent fire or shock hazard, do not expose live components to rain or moisture. Dangerously high voltages are present inside the unit. Do not disassemble the unit. Refer servicing to qualified personnel only. Operator could be exposed to dangerously high voltage if AC power is not connected properly. Verify all wiring is properly connected.

This equipment is not intended for use in critical applications where its failure to operate would create immediate life threatening circumstances. Applications including, but not limited to, nuclear reactor control, aerospace navigation systems and life support systems are not appropriate for this product.

This product is intended to be mounted in a suitable cabinet or other enclosure. The NEMA 4, 4X, or 12 ratings are applicable only when properly installed in a like rated enclosure.

When using DC power input: The HIS-ML19.5 subject unit is to be powered by a Listed Power Supply suitable for the application with outputs at SELV/LPS or Class 2 levels rated 10.8-26.4VDC, 2.3 A max. The equipment is not intended to connect directly to a DC Mains source.

---

## FCC Notice

This equipment has been tested and found to comply with the limits for a Class A digital device, pursuant to Part 15 of the FCC Rules. These limits are designed to provide reasonable protection against harmful interference when the equipment is operated in a commercial environment. This equipment generates, uses, and can radiate radio frequency energy and, if not installed and used in accordance with the instruction manual, may cause harmful interference to radio communications. Operation of this equipment in a residential area is likely to cause harmful interference in which case the user will be required to correct the interference at his own expense. Any changes or modifications not expressly approved by the grantee of this device could void the user's authority to operate the device.

## Hazardous Locations

This equipment is suitable for use in Class I, Division 2, Groups A, B, C, and D; Class II, Division 2, Groups F and G; Class III; or non-hazardous locations only.

Device is open-type and is to be installed in an enclosure suitable for the environment that is only accessible with the use of a tool.

FR: Cet équipement peut être utilisé dans la Classe I, Division 2, Groupes A, B, C et D; Classe II, Division 2, Groupes F et G; et Classe III, endroits hasardeux ou endroits non-hasardeux seulement. Cet appareil doit être installé dans un enclos adapté à un environnement accessible uniquement avec l'aide d'un outil.

WARNING – EXPLOSION HAZARD – Do not disconnect equipment unless power has been removed or the area is known to be non-hazardous.

WARNING – EXPLOSION HAZARD – Substitution of any components may impair suitability for Class I, II & III, Division 2 Locations.



Any steps marked with this symbol are required to ensure compliance with Class I, II, III, Division 2 Hazardous Location requirements.

## Waste Electrical and Electronic Equipment Directive (WEEE)

*The following information is only for EU-member states and the UK:*

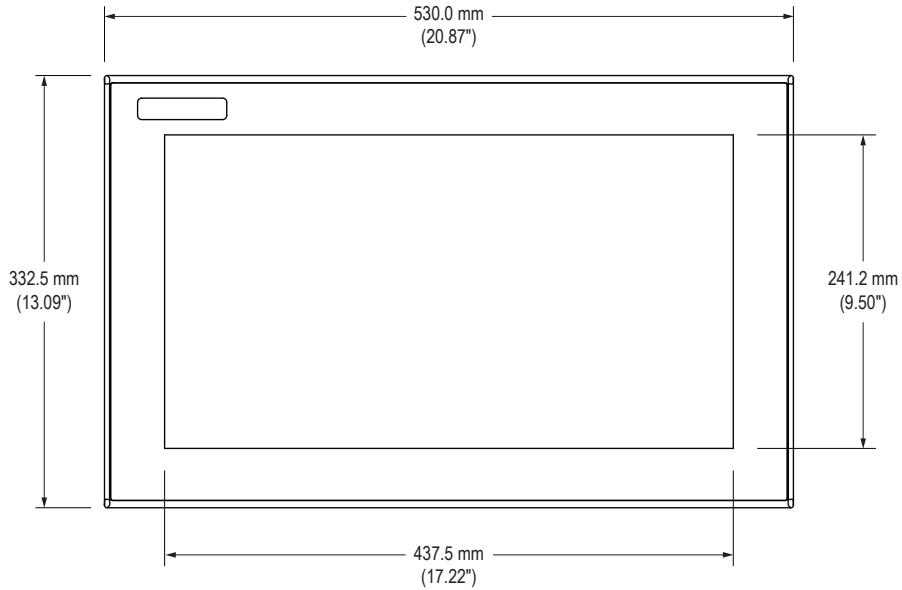
The mark shown to the right indicates compliance with the Waste Electrical and Electronic Equipment Directive 2012/19/EU (WEEE 2) amending Directive 2002/96/EC. The mark indicates the requirement NOT to dispose of the equipment as unsorted municipal waste, but use the return and collection systems according to local law.



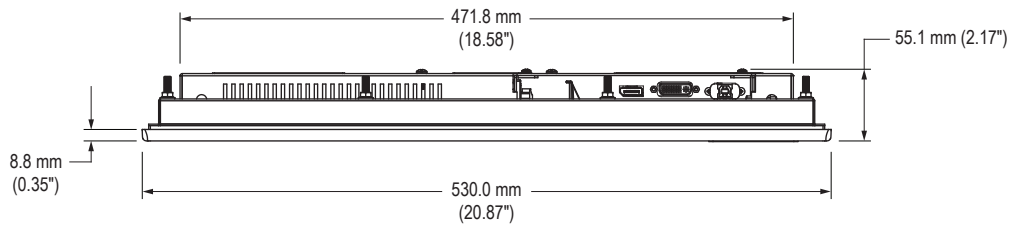
The European Union WEEE Regulations of 2014 require producers of electrical and electronic equipment to finance the takeback of WEEE resulting from products that we place on the market. Hope Industrial Systems will take back WEEE, free of charge, when purchased directly from us. Please contact support for details.

# Mechanical Drawings

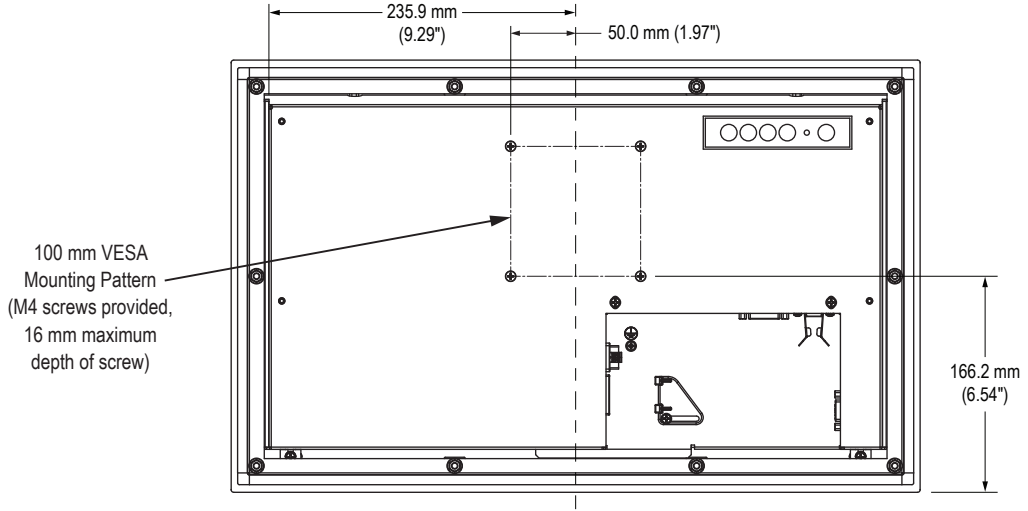
## Front View



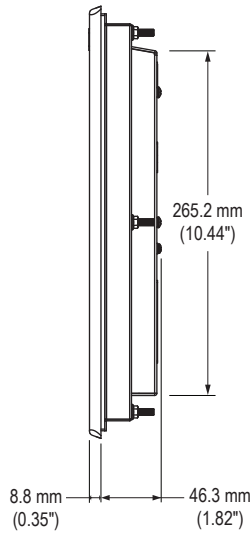
## Bottom View



## Rear View



## Side View



# Installation Instructions

## Step 1: Prepare for Installation



### IMPORTANT!

Perform the following steps **BEFORE** installation of the monitor into the panel.

1. Ensure that sufficient power is available.
2. Ensure that sufficient space is available to allow for proper air flow into and out of the unit.
3. Ensure that the air temperature around the unit (top and bottom) *will not exceed the rated specifications of the unit.*



- ▶ **The maximum rated temperature for the HIS-ML19.5 is 50°C (122°F).**
  - ▶ **Remember that heat rises – the temperature at the top of the cabinet will be much hotter than at the bottom if air inside the enclosure is not actively circulating. Even in a sealed enclosure, use of a circulation fan can greatly reduce temperature.**
  - ▶ **Also, remember that even though this product is designed to operate at 50°C, the life span of any electronic device is shortened when it is consistently operated at high temperatures. Therefore, it is wise to take steps to keep the temperature of the ambient air around the unit as low as possible.**
4. Ensure that the ambient humidity of the air around the unit *does not exceed the specifications of the unit.*
    - ▶ **The maximum rated humidity for the HIS-ML19.5 is 90% non-condensing.**

## Step 2: Bench-test Configuration

Make sure everything works before installing into the production environment.

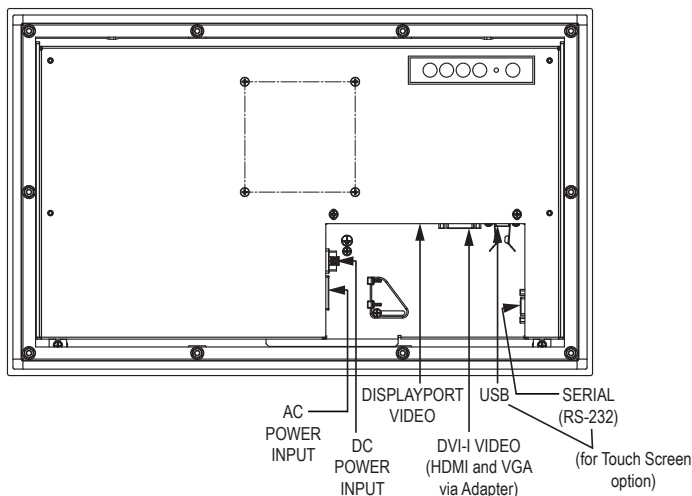


### TIP!

If using a KVM extender, please refer to the installation instructions included with the KVM extender module. It is particularly important to bench-test the full configuration prior to final installation. This will help to identify and troubleshoot any system issues while configuration changes may still be easily made.

## Connect Video and Power Cables

All monitors are shipped with a VGA to DVI video cable, a VGA to DVI adapter, and a power/ mains cable. The cable ports are located on the rear of the monitor.



## Video Connection

DisplayPort connections are supported natively with the integrated DisplayPort connector. Optional adapters are available for Mini DisplayPort.

An integrated DVI-I connector is used to support both digital (DVI, HDMI) and analog (VGA, RGB) signals through the same port. VGA signals require use of the provided VGA to DVI adapter. RGB video sources (BNC, RCA) require additional adapters. HDMI (including Mini and Micro) can also use the DVI-I port using an adapter.



After selecting the appropriate interface, connect one end of your video cable to the input port on the rear of the monitor. If using a DVI cable, secure the screw locks to ensure adequate strain relief. Connect the other end to the appropriate port on your host computer or other video source.



**NOTE: If this step is not performed, the product will not comply with Class I, II, III, Division 2 Hazardous Location requirements.**



## TIP!

**To avoid incompatibility issues, use only certified video adapters available from Hope Industrial Systems. Many 3rd-party signal adapters are known to cause signaling issues.**

## Power Connection


The HIS-ML19.5 supports both AC and DC power input, but only one should be used to connect power to the monitor.

AC power input accepts 100 to 240 VAC, 0.6/0.3 A, 60/50 Hz. Loosen the retaining clip for the power cable on the rear of the monitor. Connect the AC power cable to the power input port on the monitor then retighten the retaining clip. Connect the other end into a nearby outlet.



**NOTE: If the retaining clip screw is not tightened, the product will not comply with Class I, II, III, Division 2 Hazardous Location requirement.**

DC power input accepts 10.8 to 26.4 VDC, 2.3 to 0.9 A, Class 2 or SELV/LPS.

1. With main power disconnected, hook up incoming power wires to the DC input terminal blocks according to the label markings. Securely tighten terminal block screws.
2. Plug the connector into the unit and secure by tightening the two side screws.
3. Earth and shield grounds should be connected via the adjacent chassis screw designated with this symbol: 



**NOTE: If steps 1 and 2 are not performed, the product will not comply with Class I, II, III, Division 2 Hazardous Location requirements.**



## Connect and Set Up Touch Screen

The HIS-ML19.5 display is available with 3 different touch screen technologies: Single-Touch Resistive, Multi-Touch Resistive, and Projected Capacitive (PCAP). Touch screen configuration steps vary based on the model.

If you ordered a touch screen monitor, a USB cable is supplied for the touch screen interface. For units with a touch screen Serial (RS-232) interface, a serial cable may be ordered separately.

### Multi-Touch Resistive Touch Screen Models (HIS-ML19.5-FRVB)

Hope Industrial Multi-Touch Resistive models are pre-calibrated at the factory and **do not require recalibration** in normal use.

These models do not require driver installation for most operating systems and are recognized as touch-screen devices by recent Windows operating systems.

Using Windows, options such as hold-to-right-click are available in Windows Tablet settings.

#### USB Connection and Strain Relief

An integrated cable retention bracket is installed on the monitor's USB port and secures the connection. Insert the USB cable connector through the retention bracket and into the monitor. Connect the other end to the USB port on the host computer.

### Multi-Touch PCAP Touch Screen Models (HIS-ML19.5-FPVB and HIS-ML19.5-FSVB)

Multi-Touch PCAP models are also precalibrated at the factory and **do not require calibration** in normal use. These models do not require drivers for most operating systems.

Using Windows, options such as hold-to-right-click are available in Windows Tablet settings. More advanced touch screen configuration is available using an optional driver. Contact Hope Industrial support for more information.

#### USB Connection and Strain Relief

An integrated cable retention bracket is installed on the monitor's USB port and secures the connection. Insert the USB cable connector through the retention bracket and into the monitor. Connect the other end to the USB port on the host computer.

### Single-Touch Resistive Touch Screen Models (HIS-ML19.5-FTVB)

Single-Touch Resistive models require the installation of a driver for calibration and access to

advanced configuration options.

Contact Hope Industrial Systems if you require a CD-ROM with documentation and touch screen drivers. For a full list of downloadable drivers, please check the following address:

<https://www.HopeIndustrial.com/support/drivers/>



## IMPORTANT!

**Only Single-Touch Resistive Touch Screen Models (HIS-ML19.5-FTVB) require a touch screen driver to be installed on the host computer. No driver is needed for Multi-Touch Resistive or PCAP models in most circumstances.**

---

Single-Touch Resistive models include both USB and Serial (RS-232) ports for touch screen operation but only one of these should be connected to the computer. When both ports are available on the computer, USB is preferred.

### Installing the Driver: USB Connections

1. Do not plug the USB connection into the computer until the driver installation is complete. If the USB connection has already been made, disconnect at this point.
2. Download the appropriate driver for your operating system from the address listed above. Click to "Run" the software when prompted.
3. Follow the on screen prompts to complete the driver installation.
4. Once the driver has been successfully installed, the USB connection can be made by inserting the connector through the monitor's integrated cable retention bracket and into the USB port. Connect the other end to the USB port on the host computer.
5. Proceed with Calibration (below).

Note: detailed and up-to-date USB driver installation instructions can be found at the following address:

<https://www.hopeindustrial.com/blog/calibrating-a-touch-screen/>

## Installing the Driver: Serial (RS-232) Connections

Serial Connections must be made before installing the driver.

1. Connect one end of the Serial cable to the Serial input port on the rear of the monitor. Connect the other end to the Serial port on the host computer. Tighten the screw locks on the cable connectors to ensure adequate strain relief.



**NOTE: If this step is not performed, the product will not comply with Class I, II, III, Division 2 Hazardous Location requirements.**

2. Download the appropriate driver for your operating system from the address listed above. Click to "Run" the software when prompted. Follow the on screen prompts to complete the driver installation.
3. Proceed with Calibration (below).

### Calibrate the Touch Screen (Single-Touch Resistive Models Only)

Once the driver has finished installing, you are ready to calibrate the touch screen.

Open the Windows Control Panel and ensure the "View by" option is set to "Small icons" in the top right of the window. Click the Elo icon to open the Elo Touchscreen utility.



Under the "General" tab, click the "Align" button to start the calibration routine.

## Step 3: Install into Panel

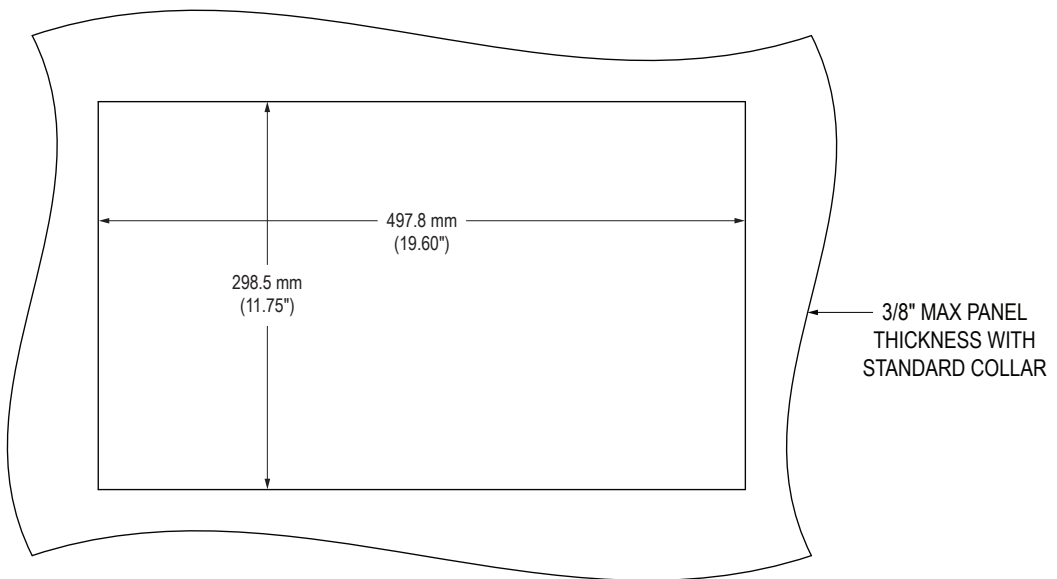
Once you have completed the full bench-test configuration and confirmed that all components are working properly, you are ready to install the monitor into its panel cutout.



### WARNING!

**Hope Industrial Systems will not assume liability for damage to internal electronics due to improper installation. Contact Hope Industrial Systems if you need additional assistance.**

1. Refer to the drawing below for the cutout dimensions for the HIS-ML19.5.



2. Locate position in panel for mounting of the monitor. Ensure that there is adequate space behind the panel. Allow 25.4 mm (1.0") extra space behind and on each side for air ventilation.

3. Cut a rectangular hole in the panel.

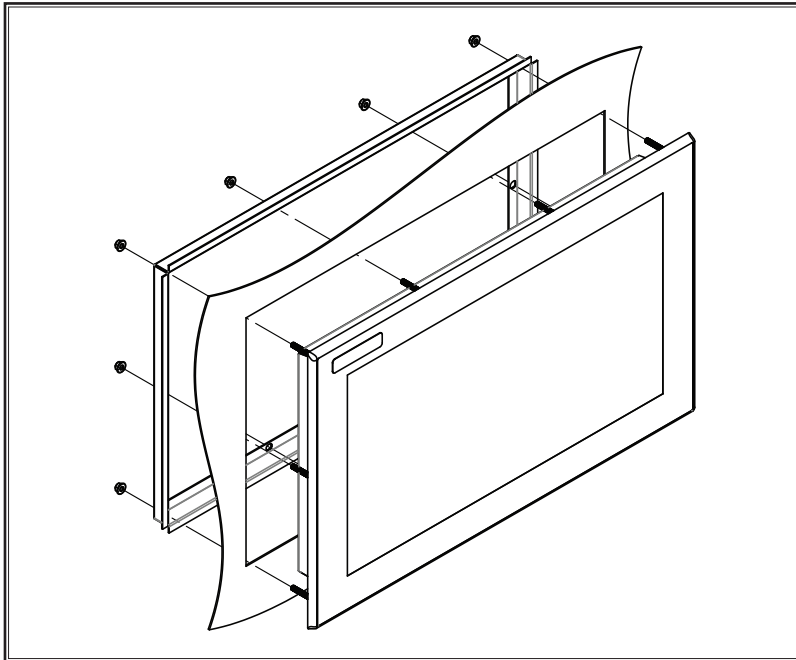
► **Cutout Dimensions (W x H) for the HIS-ML19.5:**

**497.8 mm x 298.5 mm (19.60" x 11.75"); ± 0.5 mm (0.020")**

4. Clean and deburr the panel hole.

5. Separate the rear collar from the monitor by removing the 10 nuts.

6. Refer to the enclosure mounting diagram below.



7. Insert the unit into the front of the panel and re-attach the collar.

**NOTE:** Contact Hope Industrial Systems if for any reason your application does not allow for installation of the collar.

8. Tighten all 10 nuts to a torque of 1.13-1.7 N-m (10-15 inch-pounds) to ensure a watertight seal between the bezel gasket on the monitor and the equipment panel. Go around all nuts twice to ensure an even compression on gasket.

**NOTE:** If a torque wrench is not available, tighten all nuts evenly until molded frame sits flush against front of the panel. Do not overtighten.

---

# Video Settings

## Setting the Timing Mode

Setting the timing mode of your computer graphics adapter (or other video source) is important for maximizing the quality of the screen image and for minimizing eye strain. The timing mode consists of the resolution (e.g. 1920 x 1080) and refresh rate (or vertical frequency; e.g. 60 Hz). After setting the timing mode, use the On-Screen Display (OSD) controls to adjust the screen image.

---



### TIP!

**For the best picture quality, set your computer graphics adapter timing mode to:**

**VESA 1920 x 1080 @ 60 Hz**

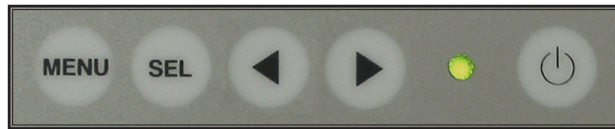
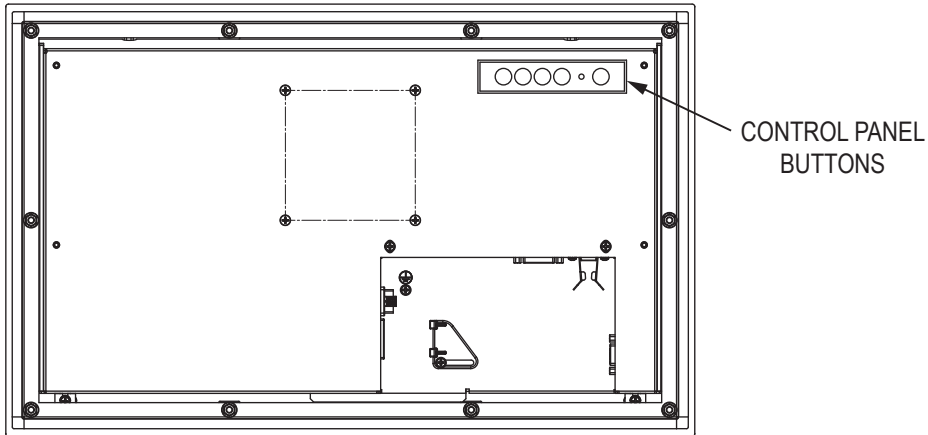
---

Please refer to the computer graphics adapter manufacturer's manual for instructions on setting the resolution and timing mode. In Microsoft Windows, these settings may be found at the following location:

- ▶ **2000, XP:** Control Panel > Display > Settings
- ▶ **Vista:** Control Panel > Personalization > Display Settings
- ▶ **Windows 7, 8:** Control Panel > Appearance and Personalization > Adjust Screen Resolution
- ▶ **Windows 10, 11:** Start > Settings > System > Display






## Control Panel Buttons

Use the control panel buttons located on the back of the monitor to display and adjust various settings on the On-Screen Display (OSD) menu.



1. To open the OSD menu, press the Menu button.  
**NOTE:** All OSD menus and adjustments screens disappear automatically after 60 seconds. This is adjustable through the OSD Time out setting in the Setup menu.
2. To navigate through the main OSD menu, press the left [◀] or right [▶] button.
3. To select a control to adjust, press the Select [SEL] button to navigate down through the menu.
4. To adjust a selected control, press the left [◀] or right [▶] button, or press the right [▶] button to open the submenu for a selected control.
5. To return to the main OSD menu, press the Menu button.
6. To exit the OSD menu, press the Menu button.



| Button  | Control                             | Functions   |
|---|-------------------------------------|---|
|    | <b>Menu</b>                         | <ul style="list-style-type: none"> <li>• Opens the OSD menu.</li> <li>• Exits the submenu.</li> <li>• Exits the OSD menu.</li> </ul>  |
|    | <b>Select /<br/>Navigate Down</b>   | When the OSD menu IS NOT displayed: <ul style="list-style-type: none"> <li>• Shortcut to Auto setup function.</li> </ul>  |
|   |                                     | When the OSD menu IS displayed: <ul style="list-style-type: none"> <li>• Navigates down through the OSD menu.</li> </ul>  |
|    | <b>Left / Down /<br/>Brightness</b> | When the OSD menu IS NOT displayed: <ul style="list-style-type: none"> <li>• Shortcut to adjust Brightness.</li> </ul>  |
|   |                                     | When the OSD menu IS displayed: <ul style="list-style-type: none"> <li>• Navigates left in the main OSD menu.</li> <li>• Decreases adjustments for the selected control.</li> </ul>   |
|    | <b>Right / Up</b>                   | When the OSD menu IS displayed: <ul style="list-style-type: none"> <li>• Navigates right in the main OSD menu.</li> <li>• Displays the submenu for the selected control.</li> <li>• Increases adjustments for the selected control.</li> </ul>                  |
|   | <b>Power Indicator<br/>Light</b>    | <ul style="list-style-type: none"> <li>• LED lit green – power is ON</li> <li>• LED not lit or lit red – power is OFF</li> <li>• LED lit orange – monitor is in Standby mode</li> <li>• LED flashing green – monitor is searching for display source</li> </ul> |
|  | <b>Power</b>                        | Turns the monitor on and off.   |

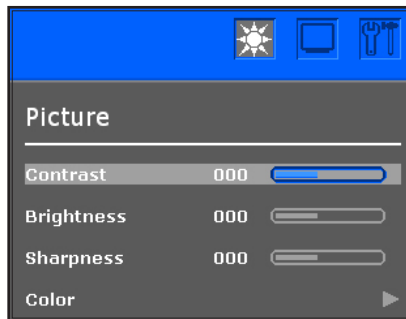
## On-Screen Display (OSD) Menus

To open the OSD menu, press the Menu button once.

| Main Menu           | Description   |
|---------------------|---|
| <b>Picture</b>      | Includes the Contrast, Brightness, Sharpness, and Color functions.                                    |
| <b>VGA Settings</b> | Includes the Timing, Auto setup, H total, V position, H position, and Phase functions.                |
| <b>Setup</b>        | Includes the Inputs, OSD, Info, Reset to factory defaults, Source scan, and Advanced Setup functions. |

### Picture Menu

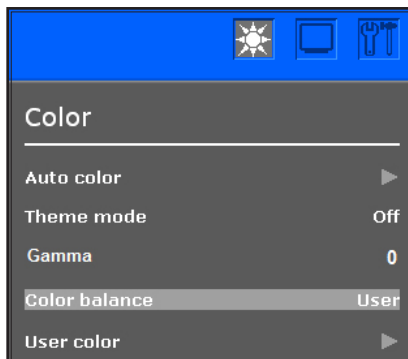
The Picture menu includes the Contrast, Brightness, Sharpness, and Color functions.



| Picture Menu      | Description   |
|-------------------|---|
| <b>Contrast</b>   | Adjusts the difference between the image background (black level) and the foreground (white level).   |
| <b>Brightness</b> | <ul style="list-style-type: none"> <li>Adjusts the background black level of the screen image.</li> <li>This feature may also be accessed by pressing the left [◀] button outside of the OSD menu.</li> </ul> |
| <b>Sharpness</b>  | Adjusts the clarity of the screen to make the image sharper or softer.  |

## Color Menu

The Color submenu in the Picture menu includes the Auto color, Theme mode, Gamma, Color balance, and User color functions.

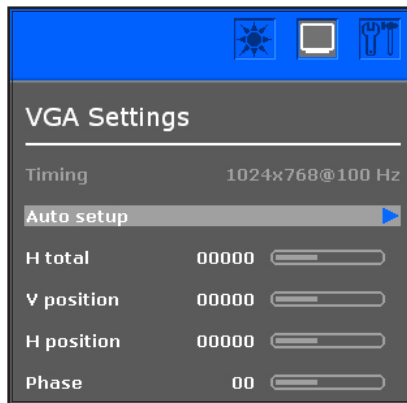


| Color Menu        | Description  |
|-------------------|--|
| <b>Auto color</b> | <p>Auto color is an auto adjust routine to compensate, for example, analog signal level drops on long VGA cables. It needs an input signal with a picture with black and full color content (white, red, blue, green). Please contact our support team for further details.</p> <p><b>NOTE:</b> The Auto color function is only available when using the analog VGA connector.</p>                                 |
| <b>Theme mode</b> | <p>Allows the user to select from three image modes for different usage, as well as the default "Off" setting:</p> <ul style="list-style-type: none"> <li>• <b>Multimedia</b> optimizes the screen for multimedia applications, such as video playback.</li> <li>• <b>Desktop</b> optimizes the screen for desktop applications.</li> <li>• <b>Gaming</b> optimizes the screen for gaming applications.</li> </ul> |
| <b>Gamma</b>      | <p>Adjusts the gamma value from 0 to 7. High gamma values display whitish images and low gamma values display high contrast images.</p>  |

| Color Menu                  | Description   |
|-----------------------------|---|
| <p><b>Color balance</b></p> | <p>Provides several color adjustment modes, including preset color temperatures and a User color mode that allows individual adjustment of Red, Green, and Blue. The factory default setting for this product is Normal.</p> <ul style="list-style-type: none"> <li>• <b>User color</b> allows individual adjustment of Red, Green, and Blue.</li> <li>• <b>Warm</b> adds red to the screen for warmer white and richer red.</li> <li>• <b>Normal</b> is the factory default setting.</li> <li>• <b>Cold</b> adds blue to the screen image for cooler white.</li> </ul> |

### VGA Settings Menu

The VGA Settings menu includes the Timing, Auto setup, H total, V position, H position, and Phase functions.

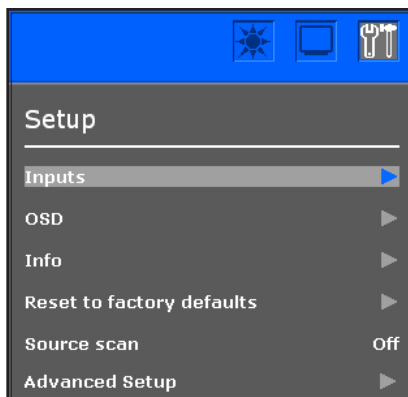


| VGA Settings Menu        | Description   |
|--------------------------|---|
| <p><b>Timing</b></p>     | <p>Displays the timing mode (video signal input) coming from the graphics card in the computer.</p>   |
| <p><b>Auto setup</b></p> | <ul style="list-style-type: none"> <li>• Automatically sizes, centers, and fine tunes the video signal to eliminate waviness and distortion.</li> <li>• This feature may also be accessed by pressing the Select [ SEL ] button outside of the OSD menu.</li> </ul> |


| VGA Settings Menu                       | Description  |
|---|--|
| <b>H total</b>                          | Allows the user to fine tune the horizontal timing by increasing or decreasing the total horizontal pixels. H total affects how the image is stretched horizontally. |
| <b>V position (Vertical Position)</b>   | Moves the screen image up and down.  |
| <b>H position (Horizontal Position)</b> | Moves the screen image left and right.   |
| <b>Phase</b>                            | Adjusts the focus of the screen image. Allows the user to remove any horizontal noise and sharpen the image of characters.   |

## Setup Menu

The Setup menu includes the Inputs, OSD, Info, Reset to factory defaults, Source scan, and Advanced Setup functions.



| Setup Menu    | Description   |
|---------------|---|
| <b>Inputs</b> | Allows the user to select between VGA, DVI and DisplayPort input. |

| Setup Menu                              | Description   |
|---|---|
| <p><b>OSD</b></p>                       | <p>The OSD submenu provides several adjustments for the OSD menu settings.</p>  <ul style="list-style-type: none"> <li>• <b>Time out</b> sets the length of time (in seconds) the OSD screen is displayed. For example, with a "60" setting, if a control is not pushed within 60 seconds, the display screen disappears.</li> <li>• <b>Transparency</b> adjusts the level of transparency of the OSD menu against the background.</li> <li>• <b>Language</b> allows the user to choose the language used in the menus and control screens.</li> <li>• <b>Rotation</b> allows the user to rotate the OSD by 0°, 90°, 180°, or 270°. A "Mirrored" setting is also available, which is a horizontal reflection of the OSD.</li> <li>• <b>OSD Position</b> allows the user to move the OSD by its x Position or y Position.</li> <li>• <b>Show Logo</b> allows the user to disable the power-on splash screen.</li> </ul> |
| <p><b>Info</b></p>                      | <p>Displays the monitor's Software, Software Revision, Timing mode, and Mode ID.</p>  |
| <p><b>Reset to factory defaults</b></p> | <p>Returns adjustments made to the following functions back to factory default settings: Contrast, Brightness, Sharpness, Theme mode, Gamma, Color balance, User color, H total, V position, H position, Phase (at some resolutions only), Source scan.</p>   |

| Setup Menu            | Description  |
|-----------------------|--|
| <b>Source scan</b>    | Allows the user to turn source scan "On" or "Off." When Source scan is enabled and there is no active video signal present, the display will cycle through video connections until a video source is detected.   |
| <b>Advanced Setup</b> | <p>The Advanced Setup submenu contains two additional settings:</p> <ul style="list-style-type: none"> <li>• <b>Smart ISP</b> flashes the video board firmware. Do not activate without assistance from Hope Industrial technical support.</li> <li>• <b>CVT Mode</b> set to "On" (the default setting) will force the display to only render VESA CVT (Coordinated Video Timings) standard signals. When set to "Off" the display will use its entire internal lookup table when syncing to an incoming video signal. CVT Mode should only be set to "Off" as a troubleshooting step if the display is having trouble syncing to an analog video signal.</li> <li>• <b>DVI EDID</b> set to "Analog" will output the EDID information as an analog format. When set to "Digital" it will output the EDID information as a Digital format.</li> </ul> |

## Cleaning Instructions

---



### CAUTION!

**DO NOT USE ABRASIVE MATERIALS, SUCH AS PAPER TOWELS OR DIRTY SHOP RAGS, ON THE DISPLAY AS IT WILL SCRATCH THE PROTECTIVE COATING. ALWAYS USE A SOFT CLOTH, PREFERABLY MADE OF COTTON.**

---

All displays may be cleaned using any standard glass cleaner as long as there is no abrasive or oily content. Vinegar or ammonia will not hurt the screen.

The anti-reflective coatings on glass window-equipped displays are physically part of the surface of the glass and resist degradation.



# Troubleshooting

## Video Troubleshooting



### IMPORTANT!

If using a KVM extender, first try to resolve any problems using the solutions listed below. If the problem still exists, try bypassing the KVM extender. If this fixes the problem and allows the monitor to work properly, then the KVM extender is the source of the problem. Please refer to the troubleshooting section of the KVM extender manual or contact Hope Industrial Systems for additional assistance.

| Symptom   | Causes   | Solutions  |
|---|--|--|
| No image on the screen and control's Power Indicator light is not lit                           | Power cable is not plugged in.   | <ul style="list-style-type: none"> <li>Check power connections at the monitor and power source.</li> <li>For DC input, check the connector polarity and ensure input voltage is 10.8 to 26.4 VDC.</li> </ul> |
| No image on the screen and control's Power Indicator light is lit solid red                     | Monitor is not powered on.   | Press the Power button on the monitor for 1-2 seconds to turn the monitor on and make sure the Power Indicator light is lit green.   |
| No image on the screen and control's Power Indicator light is blinking orange or blinking green | Video cable is not plugged in correctly.   | Check the video cable connection at the monitor, PC, and/or KVM extender.  |
|   | PC is in Power Saving mode.  | Power Saving mode can usually be exited by moving the mouse or pressing a key on the keyboard.   |
|   | PC is not sending signal.  | Connect PC to another known working monitor to check the PC source signal.   |
|   | Analog/VGA signal is not a standard CVT signal (this does not apply to digital signals). | Disable the "CVT Mode" function in the OSD's "Setup > Advanced Setup" menu. This allows the monitor to use the controller board's internal mode table to display signal.                                     |

| Symptom  | Causes   | Solutions   |
|--|--|---|
| <b>"Scanning Ports / No Signal" message box and no image on the screen</b>                 | Video cable is not plugged in correctly.   | Check the video cable connection at the monitor, PC, and/or KVM extender.   |
|  | PC is not powered on.  | Ensure PC is powered on.  |
|  | PC is not sending signal.  | Connect PC to another known working monitor to check the PC source signal.  |
| <b>"VGA / Out of Range" or "DVI / Out of Range" message box and no image on the screen</b> | The source signal exceeds the maximum resolution and/or refresh rate that the monitor can handle (> 1920 x 1080 resolution or > 75 Hz refresh rate). | Adjust the computer settings to the monitor's native resolution:<br>1920 x 1080 @ 60 Hz   |
| <b>Incorrectly displayed or partial image on the screen</b>                                | Analog/VGA signal in use and monitor has not been adjusted correctly for the source signal.  | <ul style="list-style-type: none"> <li>• Activate the "Auto setup" function in the OSD's "VGA Settings" menu. This function may also be activated by pressing the Select [ SEL ] button outside of the OSD menu.</li> <li>• Fine tune the picture by manually adjusting the image using the settings in the OSD's "VGA Settings" menu.</li> </ul> |
|  | Analog/VGA signal is not a standard CVT signal (this does not apply to digital signals).   | Disable the "CVT Mode" function in the OSD's "Setup > Advanced Setup" menu. This allows the monitor to use the controller board's internal mode table to display signal.  |
| <b>Wrong or abnormal colors (white is not white)</b>                                       | Analog/VGA signal in use and monitor color settings are incorrectly adjusted.  | Adjust monitor settings by running the "Auto color" function in the OSD's "Picture > Color" menu.   |
|  | Video cable is not securely connected.   | If any colors (red, green, or blue) are missing, check the video cable to make sure it is securely connected.   |
|  | Video cable is bad.  | Ensure no loose or broken pins in the cable connector. Shorts in cable could also cause improper image to display.  |
| <b>Screen image is dim</b>   | Brightness and/or contrast settings are not set properly.  | Adjust the monitor's brightness and/or contrast settings in the OSD's "Picture" menu.   |



## Touch Screen Troubleshooting

### Multi-Touch Touch Screen Models (HIS-ML19.5-FPVB, HIS-ML19.5-FRVB, and HIS-ML19.5-FSVB)

| Symptom  | Causes  | Solutions   |
|--|---|---|
| <b>No response when touching the touch screen</b>                  | Touch screen cable is not plugged in correctly. | Make sure the USB touch screen cable is securely connected to the monitor and PC.   |
|  | USB cable length exceeds 5 meters.              | USB cables have a 5 meter limitation. Exceeding this length may cause connection issues without the use of a USB or KVM Extender device. Please contact Hope Industrial support for extension options.  |
| <b>The screen responds to touch, but does not follow my finger</b> | Touch screen calibration issue.                 | Hope Industrial PCAP and Multi-Touch Resistive touch screens are calibrated at the factory and should not require recalibration in the field. If a touch accuracy issue is encountered, please contact Hope Industrial support for solutions. |

## Single-Touch Resistive Touch Screen Models (HIS-ML19.5-FTVB)

| Symptom  | Causes  | Solutions  |
|--|---|--|
| <b>No response when touching the touch screen</b>                  | Touch screen cable is not plugged in correctly.   | Make sure either the USB or Serial touch screen cable is securely connected to the monitor and PC. Do not connect both.  |
|  | USB cable length exceeds 5 meters.  | USB cables have a 5 meter limitation. Exceeding this length may cause connection issues without the use of a USB or KVM Extender device. Please contact Hope Industrial support for extension options.   |
|  | Serial connection in use, but touch screen driver has not been installed.   | With a Serial connection, no touch will be detected until the touch screen driver is installed. See section "Installing the Driver: Serial (RS-232) Connections" above.  |
|  | Serial connection in use, but connection to computer is not using the same port for which the touch screen driver is installed. | The Serial cable must be connected to the computer's COM port prior to driver installation to allow touch screen detection and association with the correct COM port. To fix, uninstall the driver, reboot the computer, then follow instructions in section "Installing the Driver: Serial (RS-232) Connections" above. Be sure to connect the touch screen serial port before installing the driver. |
| <b>The screen responds to touch, but does not follow my finger</b> | Touch screen driver has not been installed and the touch screen has not been calibrated.  | Follow instructions for driver installation and calibration in section "Single-Touch Resistive Touch Screen Models" above.   |
|  | Touch screen driver has been installed, but the touch screen has not been calibrated.   | Follow instructions for calibration in section "Calibrate the Touch Screen (Single-Touch Resistive Models Only)" above.  |

## Specifications

| Display                   |   |
|---------------------------|---|
| Type                      | Thin-film transistor (TFT) Active Matrix Liquid Crystal |
| Size                      | 19.5" diagonal  |
| Image Size (W x H)        | 434.88 mm x 238.68 mm (17.12" x 9.40")                  |
| Native Resolution         | Full HD 1080p (1920 x 1080, 16:9 aspect ratio)          |
| Minimum Resolution        | VGA (640 x 480)   |
| Pixel Pitch               | 0.2265 mm x 0.221 mm                                    |
| Number of Colors          | 16.7 million  |
| Brightness (white)        | 250 nits (cd/m <sup>2</sup> )                           |
| Viewing Angle (Hori/Vert) | 178° / 178°   |
| Contrast Ratio (typical)  | 3000:1  |
| Backlight (typical)       | LED; 50,000 hour brightness half-life                   |

| Environmental                |  |
|------------------------------|--|
| Operating Temperature        | 0° to 50°C (32° to 122°F)  |
| Storage Temperature          | -20° to 60°C (-4° to 140°F)  |
| Humidity                     | 20% to 90% non-condensing  |
| Operating Shock              | 15 g, 6 msec, half-sine  |
| Operating Vibration (sine)   | 1.0g, swept sine 9 – 500 Hz  |
| Transport Vibration (random) | 0.1g <sup>2</sup> / Hz, 10 – 200 Hz<br>0.03g <sup>2</sup> / Hz, 200 – 2000 Hz  |
| Altitude                     | <ul style="list-style-type: none"> <li>Operating: up to 10,000 feet</li> <li>Non-operating: up to 40,000 feet</li> </ul> |

| <b>Video</b>  |  |   |  |
|---|--|---|--|
| <b>Input Connectors</b>   | <ul style="list-style-type: none"> <li>DVI-I, DisplayPort</li> <li>Optional adapters are available for other connection types (contact Hope Industrial Systems for details)</li> </ul>   |   |  |
| <b>Input Signal Formats</b>   | <ul style="list-style-type: none"> <li>RGB Analog video, 0.7/1.0 Vp-p, 75 Ohms<br/>Compatible sync modes: Separate H/V sync, Composite sync, Sync on Green</li> <li>DVI (HDMI via adapter)</li> <li>DisplayPort 1.1</li> </ul> <p><b>NOTE:</b> NTSC/PAL composite input available (call for details)</p>   |   |  |
| <b>Horizontal Scan</b>  | 24 – 82 kHz  |   |  |
| <b>Vertical Scan</b>  | 50 – 75 Hz   |   |  |
| <b>Common Supported Video Signal Formats (not a complete list)</b>  | <table style="width: 100%; border-collapse: collapse;"> <tr> <td style="width: 50%; vertical-align: top; padding: 5px;"> <ul style="list-style-type: none"> <li>1920 x 1080 @ 50, 60 Hz</li> <li>1680 x 1050 @ 60, 70 Hz</li> <li>1600 x 1200 @ 50, 60, 65, 70, 75 Hz</li> <li>1600 x 900 @ 60 Hz</li> <li>1400 x 1050 @ 60, 75 Hz</li> <li>1440 x 900 @ 60, 75 Hz</li> <li>1366 x 768 @ 60 Hz</li> <li>1360 x 768 @ 50, 60 Hz</li> <li>1280 x 1024 @ 60, 67, 72, 75 Hz</li> <li>1280 x 960 @ 60, 67, 72, 75 Hz</li> <li>1280 x 800 @ 50, 60, 75 Hz</li> </ul> </td> <td style="width: 50%; vertical-align: top; padding: 5px;"> <ul style="list-style-type: none"> <li>1280 x 768 @ 50, 60, 75 Hz</li> <li>1280 x 720 @ 50, 60 Hz</li> <li>1152 x 900 @ 66 Hz</li> <li>1152 x 870 @ 75 Hz</li> <li>1152 x 864 @ 60, 75 Hz</li> <li>1024 x 768 @ 50, 60, 70, 72, 75 Hz</li> <li>1024 x 600 @ 60 Hz</li> <li>848 x 480 @ 60 Hz</li> <li>800 x 600 @ 56, 60, 75 Hz</li> <li>800 x 480 @ 60 Hz</li> <li>720 x 576 @ 50 Hz</li> <li>720 x 480 @ 60 Hz</li> <li>640 x 480 @ 50, 75 Hz</li> </ul> </td> </tr> </table> | <ul style="list-style-type: none"> <li>1920 x 1080 @ 50, 60 Hz</li> <li>1680 x 1050 @ 60, 70 Hz</li> <li>1600 x 1200 @ 50, 60, 65, 70, 75 Hz</li> <li>1600 x 900 @ 60 Hz</li> <li>1400 x 1050 @ 60, 75 Hz</li> <li>1440 x 900 @ 60, 75 Hz</li> <li>1366 x 768 @ 60 Hz</li> <li>1360 x 768 @ 50, 60 Hz</li> <li>1280 x 1024 @ 60, 67, 72, 75 Hz</li> <li>1280 x 960 @ 60, 67, 72, 75 Hz</li> <li>1280 x 800 @ 50, 60, 75 Hz</li> </ul> | <ul style="list-style-type: none"> <li>1280 x 768 @ 50, 60, 75 Hz</li> <li>1280 x 720 @ 50, 60 Hz</li> <li>1152 x 900 @ 66 Hz</li> <li>1152 x 870 @ 75 Hz</li> <li>1152 x 864 @ 60, 75 Hz</li> <li>1024 x 768 @ 50, 60, 70, 72, 75 Hz</li> <li>1024 x 600 @ 60 Hz</li> <li>848 x 480 @ 60 Hz</li> <li>800 x 600 @ 56, 60, 75 Hz</li> <li>800 x 480 @ 60 Hz</li> <li>720 x 576 @ 50 Hz</li> <li>720 x 480 @ 60 Hz</li> <li>640 x 480 @ 50, 75 Hz</li> </ul> |
| <ul style="list-style-type: none"> <li>1920 x 1080 @ 50, 60 Hz</li> <li>1680 x 1050 @ 60, 70 Hz</li> <li>1600 x 1200 @ 50, 60, 65, 70, 75 Hz</li> <li>1600 x 900 @ 60 Hz</li> <li>1400 x 1050 @ 60, 75 Hz</li> <li>1440 x 900 @ 60, 75 Hz</li> <li>1366 x 768 @ 60 Hz</li> <li>1360 x 768 @ 50, 60 Hz</li> <li>1280 x 1024 @ 60, 67, 72, 75 Hz</li> <li>1280 x 960 @ 60, 67, 72, 75 Hz</li> <li>1280 x 800 @ 50, 60, 75 Hz</li> </ul> | <ul style="list-style-type: none"> <li>1280 x 768 @ 50, 60, 75 Hz</li> <li>1280 x 720 @ 50, 60 Hz</li> <li>1152 x 900 @ 66 Hz</li> <li>1152 x 870 @ 75 Hz</li> <li>1152 x 864 @ 60, 75 Hz</li> <li>1024 x 768 @ 50, 60, 70, 72, 75 Hz</li> <li>1024 x 600 @ 60 Hz</li> <li>848 x 480 @ 60 Hz</li> <li>800 x 600 @ 56, 60, 75 Hz</li> <li>800 x 480 @ 60 Hz</li> <li>720 x 576 @ 50 Hz</li> <li>720 x 480 @ 60 Hz</li> <li>640 x 480 @ 50, 75 Hz</li> </ul>   |   |  |
| <b>Response Time (typical)</b>  | 25 ms  |   |  |

| Physical  |  |
|---|--|
| <b>Enclosure Type</b>                             | Panel mount; rear collar compresses gasket against panel (5/16" maximum panel thickness); held by 10 M5 studs  |
| <b>Panel Rating (with proper installation)</b>    | Built to IP65/IP66/IP69/IP69K standards; NEMA/UL Type 12/4/4X  |
| <b>Depth</b>                                      | <ul style="list-style-type: none"> <li>Total Product Depth – 55.1 mm (2.17")</li> <li>Depth Behind Front Edge of Panel – 46.3 mm (1.82")</li> </ul> <p><b>NOTE:</b> Design to maximum depth of 63.5 mm (behind front edge of panel) to ensure future compatibility with later revisions and replacement units.</p> |
| <b>Front Bezel Outside Dimensions (W x H x D)</b> | 530.0 mm x 332.5 mm x 8.8 mm (20.87" x 13.09" x 0.35")   |
| <b>Cutout Dimensions (W x H)</b>                  | 497.8 mm x 298.5 mm (19.60" x 11.75"); ± 0.5 mm (0.020")   |
| <b>Net Weight</b>                                 | 5.83 kg (12.85 lbs.)   |
| <b>Shipping Weight</b>                            | 8.16 kg (18 lbs.)  |

| Functional                           |  |
|--------------------------------------|--|
| <b>Control Panel Buttons</b>         | Menu, SEL (Navigate Down / Auto setup), ◀ (Left / Down / Brightness), ▶ (Right / Up), Power  |
| <b>On-Screen Display (OSD) Menus</b> | Contrast, Brightness, Sharpness, Color, Timing, Auto setup, H total, V position, H position, Phase, Inputs, OSD, Info, Reset to factory defaults, Source scan, Advanced Setup  |
| <b>Touch Screen Options</b>          | <ul style="list-style-type: none"> <li>Single-Touch Resistive Touch Screen: Serial (RS-232) and USB interface to host computer</li> <li>Multi-Touch Resistive Touch Screen: USB interface to host computer</li> <li>Multi-Touch PCAP Touch Screen: USB interface to host computer</li> </ul> |

| Electrical                       |  |
|----------------------------------|--|
| Monitor Input                    | <ul style="list-style-type: none"> <li>AC power input – 100 to 240 VAC, 0.6/0.3 A, 60/50 Hz</li> <li>DC power input – 10.8 to 26.4 VDC, 2.3 to 0.9 A, Class 2 or SELV/LPS</li> </ul> |
| Power Consumption                | ~ 27 W   |
| Power Consumption (Standby mode) | < 2 W  |

| Compliances and Certifications |   |
|--------------------------------|---|
| Electrical                     | <ul style="list-style-type: none"> <li>UL/EN/IEC62368-1, UL Recognized Component (File No. E212889)</li> <li>UL 508A Listed (File No. E318630)</li> <li>FCC Class A</li> <li>CAN ICES-3A/NMB-3A</li> <li>CE</li> <li>UKCA</li> <li>NOM (Registration No. NOM-019-SCFI-1998)</li> </ul> <p><b>NOTE:</b> DC power must use shielded DC input cable</p>  |
| Environmental                  | <ul style="list-style-type: none"> <li>IEC 60721-3 (Reliability)</li> <li>WEEE <ul style="list-style-type: none"> <li>Unique Identifier Number (France): FR041915_050NLX</li> <li>WEEE Registration Number (Germany): DE 78623714</li> <li>WEEE Registration Number (Ireland): IE03575W</li> <li>WEEE Registration Number (Italy): IT21120000013548</li> <li>WEEE Registration Number (Spain): 7947</li> <li>WEEE Registration Number (UK): WEE/DJ1859ZX</li> </ul> </li> </ul> |
| Enclosure                      | UL 50E (File No. E318630)   |
| Hazardous Location             | UL Rated for Hazardous Locations: Industrial Control Equipment for Hazardous Location: Listed for Class I, Division 2 for Groups A, B, C, and D; Class II, Division 2 for Groups F and G; Class III; Temp Code T5 (File No. E328481) per UL121201-2017 and CAN/CSA C22.2 No. 213-17   |



---

# Warranty Statement

## **Who is Covered?**

This warranty covers the purchaser of this product only and is not transferable without our written consent.

## **What Does This Warranty Cover and What is the Period of Coverage?**

We warrant this product to be free from defects in material and workmanship, subject to the conditions set forth below. The warranty remains in force for a five year period beginning on the date we invoice you. If Hope Industrial Systems repairs or replaces a product under warranty, its warranty term is not extended, but the repair itself is warranted for 90 days.

## **What Will We Do to Correct Problems?**

We will repair or replace (at our sole option) any part of the unit which proves to be defective. Replacement parts may be new or refurbished and will meet the same specifications of the original parts or unit. For orders sold through our U.S. operations, at our expense we will return the product to any location within the U.S.A. via the shipping method of our choice. Shipping fees for products returned to customers outside the U.S.A. are the responsibility of the customer. For products originally sold through Hope Industrial U.K., return shipping to and from Hope Industrial repair facilities and any EU member country (except Croatia, Cyprus, and Malta) will be provided using a pre-paid UPS shipping label sent via email.

## **How Do You Get Service?**

In order to receive warranty service you must get prior approval from Hope Industrial Systems. To request warranty service you can contact our customer service representatives. If we determine that warranty service is needed we will give you a Return Material Authorization (RMA) number. This RMA number must be conspicuously marked on the outside of the shipping box. Hope Industrial Systems will not accept shipments not accompanied by the RMA number. Except where otherwise noted, you must ship or deliver the product to Hope Industrial Systems Freight prepaid.

## **What Does This Warranty Not Cover?**

This warranty does not cover equipment which has been damaged due to misuse, abuse or accident such as: operating the equipment outside of published specifications; exposure to chemicals or gases not covered by specified IP/NEMA standards; displaying fixed images for long periods of time resulting in afterimage effects; improper or unauthorized repair by anyone other than Hope Industrial Systems or a service agency authorized by Hope Industrial Systems to perform such repairs; fire, flood, "acts of God", or other contingencies beyond the control of Hope Industrial Systems.

Hope Industrial Systems' responsibility for malfunctions and defects in hardware is limited to repair and replacement as set forth in this warranty statement. Hope Industrial Systems shall not be liable for direct, indirect, incidental, consequential, or other types of damages resulting from the use of any Hope Industrial Systems product other than the liability stated above. These warranties are in lieu of all other warranties express or implied, including, but not limited to, the implied warranties of merchantability or fitness for a particular purpose. Some states do not allow the exclusion of implied warranties or the limitation or exclusion of liability for incidental or consequential damages so the above exclusions or limitations may not apply to you. You are cautioned that the performance of this product can be affected by many factors, such as system configuration, software, application, and operator control of the system. It is your responsibility to determine suitability of this product for your purpose and application.

(This page intentionally left blank.)



(This page intentionally left blank.)



# Hope Industrial Systems, Inc.

## US / International

1325 Northmeadow Parkway, Suite 100  
Roswell, GA 30076  
United States

**Toll Free:** (877) 762-9790 | **International:** +1 (678) 762-9790 | **Fax:** +1 (678) 762-9789

**Sales and Customer Service:** [sales@HopeIndustrial.com](mailto:sales@HopeIndustrial.com)

**Support and Returns:** [support@HopeIndustrial.com](mailto:support@HopeIndustrial.com)

**Accounting Department:** [accounting@HopeIndustrial.com](mailto:accounting@HopeIndustrial.com)

[www.HopeIndustrial.com](http://www.HopeIndustrial.com)

### EU Authorized Representative:

Falcons Logistics B.V.  
Hoeksteen 26 F  
2132 MS Hoofddorp  
Netherlands

[HopeIndustrial.eu](http://HopeIndustrial.eu)

**Phone:** +31 20 241 0853

**Sales:** [sales@HopeIndustrial.eu](mailto:sales@HopeIndustrial.eu)

**Support:** [support@HopeIndustrial.eu](mailto:support@HopeIndustrial.eu)

**Accounting:** [accounting@HopeIndustrial.eu](mailto:accounting@HopeIndustrial.eu)

### United Kingdom Authorized Representative:

Falcon AR Services UK LTD  
Lynton House  
7-12 Tavistock Square  
WC1H 9LT London  
United Kingdom

[HopeIndustrial.co.uk](http://HopeIndustrial.co.uk)

**Phone:** +44 (0) 20 7193 2618

**Sales:** [sales@HopeIndustrial.co.uk](mailto:sales@HopeIndustrial.co.uk)

**Support:** [support@HopeIndustrial.co.uk](mailto:support@HopeIndustrial.co.uk)

**Accounting:** [accounting@HopeIndustrial.co.uk](mailto:accounting@HopeIndustrial.co.uk)

### France

Phone: +33 8 05 08 05 19

[HopeIndustrial.fr](http://HopeIndustrial.fr)

### Germany

Phone: +49 800 001 0486

[HopeIndustrial.de](http://HopeIndustrial.de)

### Italy

Phone: +39 80 0740414

[HopeIndustrial.it](http://HopeIndustrial.it)

### Spain

Phone: +34 91 1438229

[HopeIndustrial.es](http://HopeIndustrial.es)

### Mexico

Phone: +52 800 9531935

[HopeIndustrial.mx](http://HopeIndustrial.mx)

