



# Installation Instructions

VB-1517-01

## Accessory Mounting Bracket for HIS-ML15 and HIS-ML17 Monitors

1. Drill and/or modify the Accessory Bracket as required for the mounting of your device.

**NOTE:** If the device to be used will interfere with the 100 mm VESA pattern used to attach the bracket to the rear of the monitor, the included #10 sheet metal screws may be used. Drill a 4 mm (5/32") hole to use the included screws.

2. Lay the monitor face down on the edge of a bench. **Place a soft cloth or foam between the monitor and bench to prevent scratches.**
3. Place the Accessory Bracket onto the rear of the monitor as shown in Figure 1.
4. Install the provided four screws in the locations marked "A" in Figure 1.

FIGURE 1 – REAR VIEW OF MONITOR (FACE DOWN)

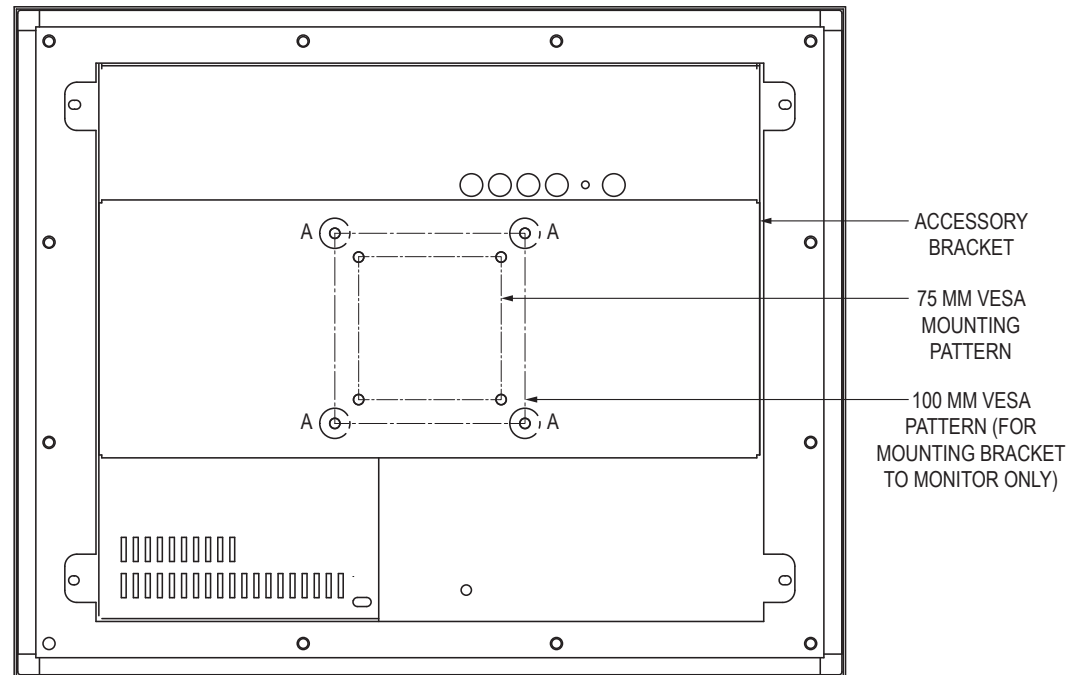


FIGURE 2 – BOTTOM VIEW

